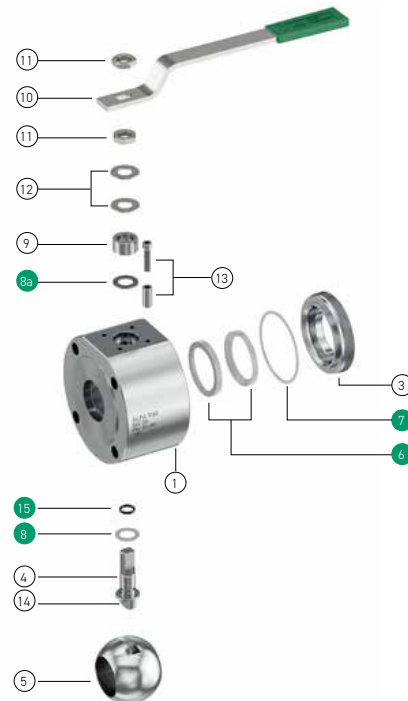




## A10N PN10-40 wafer type ball valve

BAR STOCK BODY  
CORPO DA BARRA

PART NAME PARTICOLARE	Q.TY Q.TA'	MATERIALS MATERIALI	
1 body corpo	1	ASTM A105	ASTM A479 316/316L
3 closure chiusura	1	ASTM A105	ASTM A479 316/316L
4 stem stelo	1	ASTM A479 F6a (AISI 410)	ASTM A182 316/316L
5 ball sfera	1	ASTM A351 CF8	ASTM A351 CF8M
6 seats sedi	2		TFM
7 body gasket guarnizione corpo	1		P.T.F.E.
8 washer bussola	1		P.T.F.E.
8a stem gasket guarnizione stelo	1		GRAPHOIL
9 gland premi-guarnizione	1	Carbon steel zinc coated	Stainless Steel 316
10 lever leva	1		Carbon steel zinc coated
11 stem nut dado stelo	2	CL8	A4-40 (AISI 316)
12 spring washer molla a tazza	2	51 CrV4 Zinc coated	AISI 316
13 stop device dispositivo di arresto	1	Cl. 8.8 Zinc Coated	AISI 316
14 antistatic device dispositivo antistatico	2		AISI 316
15 stem o-ring o-ring stelo	1		VITON 75 Sh. A



Spares parts / Parti di ricambio

### STANDARD FEATURES

#### CARATTERISTICHE STANDARD

Flange Facing, RF according / Finitura Flange, RF secondo : EN 1092-1

Flange drilling, metric holes according / Foratura flange, fori metrici secondo : EN1092-1, PN16

Face to face / Scartamento : EN 558-1

Design according to / Progettazione secondo : ASME B16.34, EN 12516-1, PED 2014/68/UE

Fire Safe Design and Construction according to / Costruzione e assemblaggio Fire Safe secondo : EN ISO 10497, API 6FA, API 607

Antistatic Device according to / Dispositivo antistatico secondo: BS 5146

Tightness class / Classe di tenuta : VI (FCI 70-2 - ANSI B 16.104)

Stem sealing with O-ring, Anti Blow-out stem / Tenuta stelo con O-Ring, Stelo anti-espulsione

Actuator coupling flange according to / Flangia integrata per montaggio comando secondo : ISO 5211

### A10N PN10-40

#### CARBON STEEL BODY / CORPO ACCIAIO AL CARBONIO

A105

DN	VALVE RATING	VALVE CODE	DESCRIPTION	VALVE PRICE (€)	KIT CODE	KIT PRICE (€)
15	PN 10-40	A1N15U4C5-0001-M0010	ALFA10N DN15 PN10-40 A105 FS RF MET		KGAIN15A1-001	
20	PN 10-40	A1N20U4C5-0001-M0010	ALFA10N DN20 PN10-40 A105 FS RF MET		KGAIN20A1-001	
25	PN 10-40	A1N25U4C5-0001-M0010	ALFA10N DN25 PN10-40 A105 FS RF MET		KGAIN25A1-001	
32	PN 10-40	A1N32U4C5-0001-M0010	ALFA10N DN32 PN10-40 A105 FS RF MET		KGAIN32A1-001	
40	PN 10-40	A1N40U4C5-0001-M0010	ALFA10N DN40 PN10-40 A105 FS RF MET		KGAIN40A1-001	
50	PN 10-40	A1N50U4C5-0001-M0010	ALFA10N DN50 PN10-40 A105 FS RF MET		KGAIN50A1-001	
65	PN 10-16	A1N65U3C5-0001-M0010	ALFA10N DN65 PN10-16 A105 FS RF MET		KGAIN65A1-001	
80	PN 16-40	A1N80U6C5-0001-M0010	ALFA10N DN80 PN16-40 A105 FS RF MET		KGAIN80A1-001	
100	PN 10-16	A1NA0U3C5-0001-M0010	ALFA10N DN100 PN10-16 A105 FS RF MET		KGAINA0A1-001	

### A10N PN10-40

#### STAINLESS STEEL BODY / CORPO ACCIAIO INOSSIDABILE

316(L)

DN	VALVE RATING	VALVE CODE	DESCRIPTION	VALVE PRICE (€)	KIT CODE	KIT PRICE (€)
15	PN 10-40	A1N15U4SD-0001-M0000	ALFA10N DN15 PN10-40 316/316L FS RF MET		KGAIN15A1-001	
20	PN 10-40	A1N20U4SD-0001-M0000	ALFA10N DN20 PN10-40 316/316L FS RF MET		KGAIN20A1-001	
25	PN 10-40	A1N25U4SD-0001-M0000	ALFA10N DN25 PN10-40 316/316L FS RF MET		KGAIN25A1-001	
32	PN 10-40	A1N32U4SD-0001-M0000	ALFA10N DN32 PN10-40 316/316L FS RF MET		KGAIN32A1-001	
40	PN 10-40	A1N40U4SD-0001-M0000	ALFA10N DN40 PN10-40 316/316L FS RF MET		KGAIN40A1-001	
50	PN 10-40	A1N50U4SD-0001-M0000	ALFA10N DN50 PN10-40 316/316L FS RF MET		KGAIN50A1-001	
65	PN 10-16	A1N65U3SD-0001-M0000	ALFA10N DN65 PN10-16 316/316L FS RF MET		KGAIN65A1-001	
80	PN 16-40	A1N80U6SD-0001-M0000	ALFA10N DN80 PN16-40 316/316L FS RF MET		KGAIN80A1-001	
100	PN 10-16	A1NA0U3SD-0001-M0000	ALFA10N DN100 PN10-16 316/316L FS RF MET		KGAINA0A1-001	



Product codes in bold are related to product available on stock: delivery time within 3 weeks based on ordered quantity.

All other codes are related to product ready for assembly: delivery time within 5 weeks based on ordered quantity.

Missing Sizes and Special Executions are available upon request. Please contact Sales Dept. for availability and delivery time.

I codici in grassetto indicano prodotti normalmente disponibili a stock: consegna entro 3 settimane secondo quantità ordinate.

Gli altri codici indicano prodotti disponibili per assemblaggio: consegna entro 5 settimane secondo quantità ordinate.

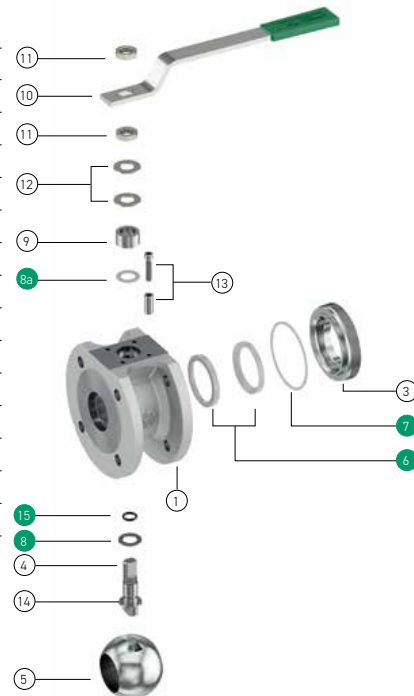
Dimensioni mancanti ed esecuzioni speciali sono disponibili su richiesta. Si prega contattare Ufficio commerciale per disponibilità e consegne.



## A10NF PN10-40 wafer type ball valve

INVESTMENT CASTING BODY  
CORPO DA FUSIONE

	PART NAME PARTICOLARE	Q.TY	MATERIALS MATERIALE		
1	body corpo	1	ASTM A216 WCB	ASTM A351 CF8M	ASTM A351 CF8
3	closure chiusura	1	ASTM A216 WCB	ASTM A351 CF8M	ASTM A351 CF8
4	stem stelo	1	ASTM A479 F6a (AISI 410)	ASTM A182 316/316L	
5	ball sfera	1	ASTM A351 CF8	ASTM A351 CF8M	ASTM A351 CF8
6	seats sedi	2	TFM	TFM	
7	body gasket guarnizione corpo	1	P.T.F.E./GRAPHOIL (DN>100)	P.T.F.E./GRAPHOIL (DN> 100)	
8	washer bussola	1	P.T.F.E.	P.T.F.E.	
8a	stem gasket guarnizione stelo	1	GRAPHOIL	GRAPHOIL	
9	gland premi-guarnizione	1	Carbon Steel Zinc Coated	Stainless Steel 316	
10	lever leva	1	Carbon Steel Zinc Coated	Carbon Steel Zinc Coated	
11	stem nut dado stelo	2	Cl. 8	A4-40 (AISI 316)	
12	spring washer molla a tazza	2	51CrV4 Zinc Coated	AISI 316	
13	stop device dispositivo di arresto	1	Cl. 8.8 Zinc Coated	AISI 316	
14	antistatic device dispositivo antistatico	2	AISI 316	AISI 316	
15	stem o-ring g-ring stelo	1	VITON 75 Sh. A	VITON 75 Sh. A	
16	body o-ring (DN >100) g-ring corpo	1	P.T.F.E.	P.T.F.E.	



Spares parts / Parti di ricambio

### STANDARD FEATURES CARATTERISTICHE STANDARD

Flange Facing RF according / Finitura Flange RF according : EN 1092-1
Flange drilling, metric holes according / Foratura flange, fori metrici secondo : EN1092-1, PN16
Face to face / Scartamento : EN 558-1
Design according to / Progettazione secondo : ASME B16.34, EN 12516-1, PED 2014/68/UE
Fire Safe Design and Construction according to / Costruzione e assemblaggio Fire Safe secondo : EN ISO 10497, API 6FA, API 607
Antistatic Device according to / Dispositivo antistatico secondo : BS 5146
Tightness class / Classe di tenuta : VI (FCI 70-2 - ANSI B 16.104)
Stem sealing with O-ring, Anti Blow-out stem / Tenuta stelo con O-Ring, stelo anti- espulsione
Actuator coupling flange according to / Flangia integrata per montaggio comando secondo : ISO 5211

### A10NF PN10-40 CARBON STEEL BODY / CORPO ACCIAIO AL CARBONIO

DN	VALVE RATING	VALVE CODE	DESCRIPTION	VALVE PRICE (€)	KIT CODE	KIT PRICE (€)
15	PN 10-40	A1N15U4C1-0002-M0010	ALFA10NF DN15 PN10-40 WCB FS RF MET		KGA1N15A1-001	
20	PN 10-40	A1N20U4C1-0002-M0010	ALFA10NF DN20 PN10-40 WCB FS RF MET		KGA1N20A1-001	
25	PN 10-40	A1N25U4C1-0002-M0010	ALFA10NF DN25 PN10-40 WCB FS RF MET		KGA1N25A1-001	
32	PN 10-40	A1N32U4C1-0002-M0010	ALFA10NF DN32 PN10-40 WCB FS RF MET		KGA1N32A1-001	
40	PN 10-40	A1N40U4C1-0002-M0010	ALFA10NF DN40 PN10-40 WCB FS RF MET		KGA1N40A1-001	
50	PN 10-40	A1N50U4C1-0002-M0010	ALFA10NF DN50 PN10-40 WCB FS RF MET		KGA1N50A1-001	
65	PN 10-16	A1N65U3C1-0001-M0010	ALFA10NF DN65 PN10-16 WCB FS RF MET		KGA1N65A1-001	
80	PN 16-40	A1N80U6C1-0002-M0010	ALFA10NF DN80 PN16-40 WCB FS RF MET		KGA1N80A1-001	
100	PN 10-16	A1NA0U3C1-0001-M0010	ALFA10NF DN100 PN10-16 WCB FS RF MET		KGA1NA0A1-002	
125	PN 10-16	A1NA2U3C1-0002-M0010	ALFA10NF DN125 PN10-16 WCB FS RF MET		KGA6A2A1-002	
150	PN 10-16	A1NA5U3C1-0001-M0010	ALFA10NF DN150 PN10-16 WCB FS RF MET		KGA6A5A1-001	
200	PN16	A1N80U5C1-0001-M0010	ALFA10NF DN200 PN16 WCB FS RF MET		KGA6A80A1-001	

### A10NF PN10-40 STAINLESS STEEL BODY / CORPO ACCIAIO INOSSIDABILE

DN	VALVE RATING	VALVE CODE	DESCRIPTION	VALVE PRICE (€)	KIT CODE	KIT PRICE (€)
15	PN 10-40	A1N15U4S2-0001-M0000	ALFA10NF DN15 PN10-40 CF8M FS RF MET		KGA1N15A1-001	
20	PN 10-40	A1N20U4S2-0001-M0000	ALFA10NF DN20 PN10-40 CF8M FS RF MET		KGA1N20A1-001	
25	PN 10-40	A1N25U4S2-0001-M0000	ALFA10NF DN25 PN10-40 CF8M FS RF MET		KGA1N25A1-001	
32	PN 10-40	A1N32U4S2-0001-M0000	ALFA10NF DN32 PN10-40 CF8M FS RF MET		KGA1N32A1-001	
40	PN 10-40	A1N40U4S2-0001-M0000	ALFA10NF DN40 PN10-40 CF8M FS RF MET		KGA1N40A1-001	
50	PN 10-40	A1N50U4S2-0001-M0000	ALFA10NF DN50 PN10-40 CF8M FS RF MET		KGA1N50A1-001	
65	PN 10-16	A1N65U3S2-0001-M0000	ALFA10NF DN65 PN10-16 CF8M FS RF MET		KGA1N65A1-001	
80	PN 16-40	A1N80U6S2-0001-M0000	ALFA10NF DN80 PN16-40 CF8M FS RF MET		KGA1N80A1-001	
100	PN 10-16	A1NA0U3S2-0001-M0000	ALFA10NF DN100 PN10-16 CF8M FS RF MET		KGA1NA0A1-002	
125	PN 10-16	A1NA2U3S2-0002-M0000	ALFA10NF DN125 PN10-16 CF8M FS RF MET		KGA6A2A1-002	
150	PN 10-16	A1NA5U3S2-0001-M0000	ALFA10NF DN150 PN10-16 CF8M FS RF MET		KGA6A5A1-001	
200	PN16	A1N80U5S2-0001-M0000	ALFA10NF DN200 PN16 CF8M FS RF MET		KGA6A80A1-001	

DN	VALVE RATING	VALVE CODE	DESCRIPTION	VALVE PRICE (€)	KIT CODE	KIT PRICE (€)
15	PN 10-40	A1N15U4S3-0001-M0000	ALFA10NF DN15 PN10-40 CF8 FS RF MET		KGA1N15A1-001	
20	PN 10-40	A1N20U4S3-0001-M0000	ALFA10NF DN20 PN10-40 CF8 FS RF MET		KGA1N20A1-001	
25	PN 10-40	A1N25U4S3-0001-M0000	ALFA10NF DN25 PN10-40 CF8 FS RF MET		KGA1N25A1-001	
32	PN 10-40	A1N32U4S3-0001-M0000	ALFA10NF DN32 PN10-40 CF8 FS RF MET		KGA1N32A1-001	
40	PN 10-40	A1N40U4S3-0001-M0000	ALFA10NF DN40 PN10-40 CF8 FS RF MET		KGA1N40A1-001	
50	PN 10-40	A1N50U4S3-0001-M0000	ALFA10NF DN50 PN10-40 CF8 FS RF MET		KGA1N50A1-001	
65	PN 10-16	A1N65U3S3-0001-M0000	ALFA10NF DN65 PN10-16 CF8 FS RF MET		KGA1N65A1-001	
80	PN 16-40	A1N80U6S3-0001-M0000	ALFA10NF DN80 PN16-40 CF8 FS RF MET		KGA1N80A1-001	
100	PN 10-16	A1NA0U3S3-0001-M0000	ALFA10NF DN100 PN10-16 CF8 FS RF MET		KGA1NA0A1-002	
150	PN 10-16	A1NA5U3S3-0001-M0000	ALFA10NF DN150 PN10-16 CF8 FS RF MET		KGA6A5A1-001	



Product codes in bold are related to product available on stock; delivery time within 3 weeks based on ordered quantity.

All other codes are related to product ready for assembly; delivery time within 5 weeks based on ordered quantity.

Missing Sizes and Special Executions are available upon request. Please contact Sales Dept. for availability and delivery time.

I codici in grassetto indicano prodotti normalmente disponibili a stock; consegna entro 3 settimane secondo quantità ordinate.

Gli altri codici indicano prodotti disponibili per assemblaggio; consegna entro 5 settimane secondo quantità ordinate.

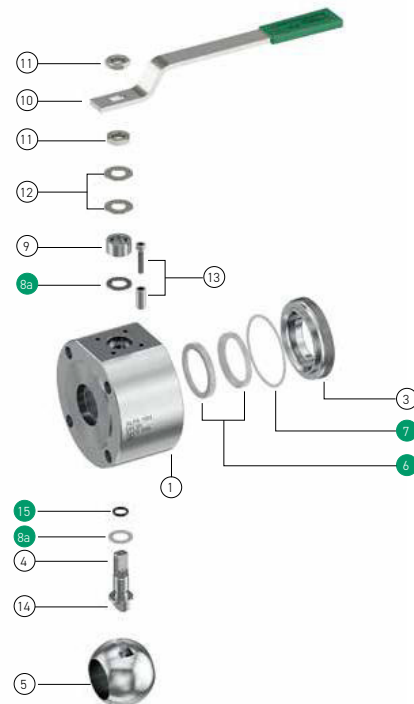
Dimensioni mancanti ed esecuzioni speciali sono disponibili su richiesta. Si prega di contattare Ufficio commerciale per disponibilità e consegne.



## A10N ANSI 150 wafer type ball valve

BAR STOCK BODY  
CORPO DA BARRA

PART NAME PARTICOLARE	QTY	MATERIALS MATERIALI	
1 body corpo	1	ASTM A105	ASTM A479 316/316L
3 closure chiusura	1	ASTM A105	ASTM A479 316/316L
4 stem stelo	1	ASTM A479 F6a (AISI 410)	ASTM A182 316/316L
5 ball sfera	1	ASTM A351 CF8	ASTM A351 CF8M
6 seats sedi	2		TFM
7 body gasket guarnizione corpo	1		P.T.F.E.
8 washer bussola	1		P.T.F.E.
8a stem gasket guarnizione stelo	1		GRAPHOIL
9 gland preguarnizione	1	Carbon steel Zinc Coated	Stainless Steel 316
10 lever leva	1		Carbon steel Zinc Coated
11 stem nut dado stelo	2	CL8	A4-40 (AISI 316)
12 spring washer molla a tazza	2	51 CrV4 Zinc coated	AISI 316
13 stop device dispositivo di arresto	1	Cl. 8.8 Zinc Coated	AISI 316
14 antistatic device dispositivo antistatico	2		AISI 316
15 stem o-ring o-ring stelo	1		VITON 75 Sh. A



Spares parts / Parti di ricambio

### STANDARD FEATURES

#### CARATTERISTICHE STANDARD

Flange Facing / Finitura Flange : RF according ASME B16.5, ANSI 150

Flange drilling, metric holes according / Foratura flange, fori metrici secondo : ASME B16.5, ANSI 150

Face to face / Scartamento : EN 558-1

Design according to / Progettazione secondo : ASME B16.34, EN 12516-1, PED 2014/68/UE

Fire Safe Design and Construction according to / Costruzione e assemblaggio Fire Safe secondo : EN ISO 10497, API 6FA, API 607

Antistatic Device according to / Dispositivo antistatico secondo : BS 5146

Tightness class / Classe di tenuta : VI (FCI 70-2 - ANSI B 16.104)

Stem sealing with O-ring, Anti Blow-out stem / Tenuta stelo con O-Ring, stelo anti-espulsione

Actuator coupling flange according to / Flangia integrata per montaggio comando secondo : ISO 5211

### A10N ANSI 150

#### CARBON STEEL BODY / CORPO ACCIAIO AL CARBONIO

DN	VALVE RATING	VALVE CODE	DESCRIPTION	VALVE PRICE (€)	KIT CODE	KIT PRICE (€)
15	ANSI 150	A1N15A1C5-0001-M0010	ALFA10N DN15 ANSI150 A105 FS RF MET		KGAIN15A1-001	
20	ANSI 150	A1N20A1C5-0001-M0010	ALFA10N DN20 ANSI150 A105 FS RF MET		KGAIN20A1-001	
25	ANSI 150	A1N25A1C5-0001-M0010	ALFA10N DN25 ANSI150 A105 FS RF MET		KGAIN25A1-001	
32	ANSI 150	A1N32A1C5-0001-M0010	ALFA10N DN32 ANSI150 A105 FS RF MET		KGAIN32A1-001	
40	ANSI 150	A1N40A1C5-0001-M0010	ALFA10N DN40 ANSI150 A105 FS RF MET		KGAIN40A1-001	
50	ANSI 150	A1N50A1C5-0001-M0010	ALFA10N DN50 ANSI150 A105 FS RF MET		KGAIN50A1-001	
65	ANSI 150	A1N65A1C5-0001-M0010	ALFA10N DN65 ANSI150 A105 FS RF MET		KGAIN65A1-001	
80	ANSI 150	A1N80A1C5-0001-M0010	ALFA10N DN80 ANSI150 A105 FS RF MET		KGAIN80A1-001	
100	ANSI 150	A1NA0A1C5-0001-M0010	ALFA10N DN100 ANSI150 A105 FS RF MET		KGAINA0A1-001	

### A10N ANSI 150

#### STAINLESS STEEL BODY / CORPO ACCIAIO INOSSIDABILE

DN	VALVE RATING	VALVE CODE	DESCRIPTION	VALVE PRICE (€)	KIT CODE	KIT PRICE (€)
15	ANSI 150	A1N15A1SD-0001-M0000	ALFA10N DN15 ANSI150 316/316L FS RF MET		KGAIN15A1-001	
20	ANSI 150	A1N20A1SD-0001-M0000	ALFA10N DN20 ANSI150 316/316L FS RF MET		KGAIN20A1-001	
25	ANSI 150	A1N25A1SD-0001-M0000	ALFA10N DN25 ANSI150 316/316L FS RF MET		KGAIN25A1-001	
32	ANSI 150	A1N32A1SD-0001-M0000	ALFA10N DN32 ANSI150 316/316L FS RF MET		KGAIN32A1-001	
40	ANSI 150	A1N40A1SD-0001-M0000	ALFA10N DN40 ANSI150 316/316L FS RF MET		KGAIN40A1-001	
50	ANSI 150	A1N50A1SD-0001-M0000	ALFA10N DN50 ANSI150 316/316L FS RF MET		KGAIN50A1-001	
65	ANSI 150	A1N65A1SD-0001-M0000	ALFA10N DN65 ANSI150 316/316L FS RF MET		KGAIN65A1-001	
80	ANSI 150	A1N80A1SD-0001-M0000	ALFA10N DN80 ANSI150 316/316L FS RF MET		KGAIN80A1-001	
100	ANSI 150	A1NA0A1SD-0001-M0000	ALFA10N DN100 ANSI150 316/316L FS RF MET		KGAINA0A1-001	



Product codes in bold are related to product available on stock: delivery time within 3 weeks based on ordered quantity.

All other codes are related to product ready for assembly: delivery time within 5 weeks based on ordered quantity.

Missing Sizes and Special Executions are available upon request. Please contact Sales Dept. for availability and delivery time.

I codici in grassetto indicano prodotti normalmente disponibili a stock: consegna entro 3 settimane secondo quantità ordinate.

Gli altri codici indicano prodotti disponibili per assemblaggio: consegna entro 5 settimane secondo quantità ordinate.

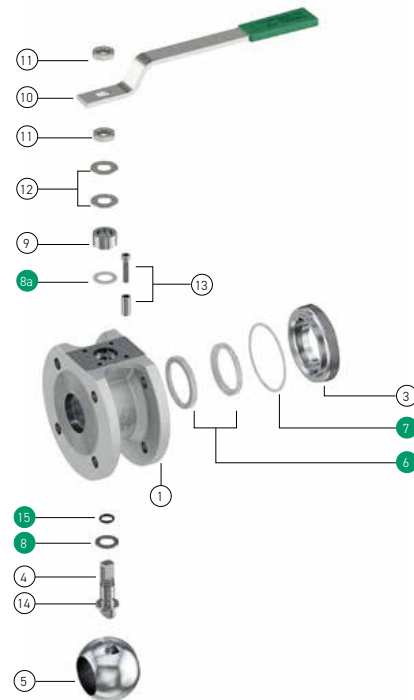
Dimensioni mancanti ed esecuzioni speciali sono disponibili su richiesta. Si prega contattare Ufficio commerciale per disponibilità e consegne.



# A10NF ANSI 150 wafer type ball valve

INVESTMENT CASTING BODY  
CORPO DA FUSIONE

PART NAME PARTICOLARE	Q.TY Q.TA	MATERIALS MATERIALI			
1 body corpo	1	ASTM A216 WCB	ASTM A351 CF8M	ASTM A351 CF8	
3 closure chiusura	1	ASTM A216 WCB	ASTM A351 CF8M	ASTM A351 CF8	
4 stem stelo	1	ASTM A479 F6a (AISI 410)		ASTM A182 316/316L	
5 ball sfera	1	ASTM A351 CF8	ASTM A351 CF8M	ASTM A351 CF8	
6 seats sedi	2	TFM		TFM	
7 body gasket guarnizione corpo	1	P.T.F.E./GRAPHOIL (DN > 100)		P.T.F.E./GRAPHOIL (DN > 100)	
8 washer bussola	1	P.T.F.E.		P.T.F.E.	
8a stem gasket guarnizione stelo	1	GRAPHOIL		GRAPHOIL	
9 gland premi-guarnizione	1	Carbon Steel Zinc Coated		Stainless Steel 316	
10 lever leva	1	Carbon Steel Zinc Coated		Carbon Steel Zinc Coated	
11 stem nut dado stelo	2	Cl. 8		A4-40 (AISI 316)	
12 spring washer molla a tazza	2	51CrV4 Zinc Coated		AISI 316	
13 stop device dispositivo di arresto	1	Cl. 8.8 Zinc Coated		AISI 316	
14 antistatic device dispositivo antistatico	2	AISI 316		AISI 316	
15 stem o-ring o-ring stelo	1	VITON 75 Sh. A		VITON 75 Sh. A	
16 body o-ring (DN > 100) o-ring corpo	1	P.T.F.E.		P.T.F.E.	



Spares parts / Parti di ricambio

## STANDARD FEATURES CARATTERISTICHE STANDARD

Flange Facing RF according / Finitura Flange RF secondo : ASME B16.5, ANSI 150
Flange drilling, metric holes according / Foratura flange, fori metrici secondo : ASME B16.5, ANSI 150
Face to face / Scartamento : EN 558-1
Design according to / Progettazione secondo : ASME B16.34, EN 12516-1, PED 2014/68/EU
Fire Safe Design and Construction according to / Costruzione e assemblaggio Fire Safe secondo : EN ISO 10497, API 6FA, API 607
Antistatic Device according to / Dispositivo antistatico secondo : BS 5146
Tightness class / Classe di tenuta : VI (FCI 70-2 - ANSI B 16.104)
Stem sealing with O-ring, Anti Blow-out stem / Tenuta stelo con O-Ring, stelo anti-espulsione
Actuator coupling flange according to / Flangia integrata per montaggio comando secondo : ISO 5211

## A10NF ANSI 150 CARBON STEEL BODY / CORPO ACCIAIO AL CARBONIO

WCB

DN	VALVE RATING	VALVE CODE	DESCRIPTION	VALVE PRICE (€)	KIT CODE	KIT PRICE (€)
15	ANSI 150	A1N15A1C1-0002-M0010	ALFA10NF DN15 ANSI150 WCB FS RF MET		KGAIN15A1-001	
20	ANSI 150	A1N20A1C1-0002-M0010	ALFA10NF DN20 ANSI150 WCB FS RF MET		KGAIN20A1-001	
25	ANSI 150	A1N25A1C1-0002-M0010	ALFA10NF DN25 ANSI150 WCB FS RF MET		KGAIN25A1-001	
32	ANSI 150	A1N32A1C1-0002-M0010	ALFA10NF DN32 ANSI150 WCB FS RF MET		KGAIN32A1-001	
40	ANSI 150	A1N40A1C1-0002-M0010	ALFA10NF DN40 ANSI150 WCB FS RF MET		KGAIN40A1-001	
50	ANSI 150	A1N50A1C1-0002-M0010	ALFA10NF DN50 ANSI150 WCB FS RF MET		KGAIN50A1-001	
65	ANSI 150	A1N65A1C1-0002-M0010	ALFA10NF DN65 ANSI150 WCB FS RF MET		KGAIN65A1-001	
80	ANSI 150	A1N80A1C1-0002-M0010	ALFA10NF DN80 ANSI150 WCB FS RF MET		KGAIN80A1-001	
100	ANSI 150	A1NA0A1C1-0001-M0010	ALFA10NF DN100 ANSI150 WCB FS RF MET		KGAINA0A1-002	
125	ANSI 150	A1NA2A1C1-0001-M0010	ALFA10NF DN125 ANSI150 WCB FS RF MET		KGAA4A2A1-002	
150	ANSI 150	A1NA5A1C1-0001-M0010	ALFA10NF DN150 ANSI150 WCB FS RF MET		KGAA4A5A1-001	
200	ANSI 150	A1N80A1C1-0001-M0010	ALFA10NF DN200 ANSI150 WCB FS RF MET		KGAA4B0A1-001	

## A10NF ANSI 150 STAINLESS STEEL BODY / CORPO ACCIAIO INOSSIDABILE

CF8M

DN	VALVE RATING	VALVE CODE	DESCRIPTION	VALVE PRICE (€)	KIT CODE	KIT PRICE (€)
15	ANSI 150	A1N15A1S2-0001-M0000	ALFA10NF DN15 ANSI150 CF8M FS RF MET		KGAIN15A1-001	
20	ANSI 150	A1N20A1S2-0001-M0000	ALFA10NF DN20 ANSI150 CF8M FS RF MET		KGAIN20A1-001	
25	ANSI 150	A1N25A1S2-0001-M0000	ALFA10NF DN25 ANSI150 CF8M FS RF MET		KGAIN25A1-001	
32	ANSI 150	A1N32A1S2-0001-M0000	ALFA10NF DN32 ANSI150 CF8M FS RF MET		KGAIN32A1-001	
40	ANSI 150	A1N40A1S2-0001-M0000	ALFA10NF DN40 ANSI150 CF8M FS RF MET		KGAIN40A1-001	
50	ANSI 150	A1N50A1S2-0001-M0000	ALFA10NF DN50 ANSI150 CF8M FS RF MET		KGAIN50A1-001	
65	ANSI 150	A1N65A1S2-0001-M0000	ALFA10NF DN65 ANSI150 CF8M FS RF MET		KGAIN65A1-001	
80	ANSI 150	A1N80A1S2-0001-M0000	ALFA10NF DN80 ANSI150 CF8M FS RF MET		KGAIN80A1-001	
100	ANSI 150	A1NA0A1S2-0001-M0000	ALFA10NF DN100 ANSI150 CF8M FS RF MET		KGAINA0A1-002	
125	ANSI 150	A1NA2A1S2-0001-M0000	ALFA10NF DN125 ANSI150 CF8M FS RF MET		KGAA4A2A1-002	
150	ANSI 150	A1NA5A1S2-0001-M0000	ALFA10NF DN150 ANSI150 CF8M FS RF MET		KGAA4A5A1-001	
200	ANSI 150	A1N80A1S2-0001-M0000	ALFA10NF DN200 ANSI150 CF8M FS RF MET		KGAA4B0A1-001	

CF8

DN	VALVE RATING	VALVE CODE	DESCRIPTION	VALVE PRICE (€)	KIT CODE	KIT PRICE (€)
15	ANSI 150	A1N15A1S3-0001-M0000	ALFA10NF DN15 ANSI150 CF8 FS RF MET		KGAIN15A1-001	
20	ANSI 150	A1N20A1S3-0001-M0000	ALFA10NF DN20 ANSI150 CF8 FS RF MET		KGAIN20A1-001	
25	ANSI 150	A1N25A1S3-0001-M0000	ALFA10NF DN25 ANSI150 CF8 FS RF MET		KGAIN25A1-001	
32	ANSI 150	A1N32A1S3-0001-M0000	ALFA10NF DN32 ANSI150 CF8 FS RF MET		KGAIN32A1-001	
40	ANSI 150	A1N40A1S3-0001-M0000	ALFA10NF DN40 ANSI150 CF8 FS RF MET		KGAIN40A1-001	
50	ANSI 150	A1N50A1S3-0001-M0000	ALFA10NF DN50 ANSI150 CF8 FS RF MET		KGAIN50A1-001	
65	ANSI 150	A1N65A1S3-0001-M0000	ALFA10NF DN65 ANSI150 CF8 FS RF MET		KGAIN65A1-001	
80	ANSI 150	A1N80A1S3-0001-M0000	ALFA10NF DN80 ANSI150 CF8 FS RF MET		KGAIN80A1-001	
100	ANSI 150	A1NA0A1S3-0001-M0000	ALFA10NF DN100 ANSI150 CF8 FS RF MET		KGAINA0A1-002	
150	ANSI 150	A1NA5A1S3-0001-M0000	ALFA10NF DN150 ANSI150 CF8 FS RF MET		KGAA4A5A1-001	



Product codes in bold are related to product available on stock; delivery time within 3 weeks based on ordered quantity.

All other codes are related to product ready for assembly; delivery time within 5 weeks based on ordered quantity.

Missing Sizes and Special Executions are available upon request. Please contact Sales Dept. for availability and delivery time.

I codici in grassetto indicano prodotti normalmente disponibili a stock; consegna entro 3 settimane secondo quantità ordinate.

Gli altri codici indicano prodotti disponibili per assemblaggio; consegna entro 5 settimane secondo quantità ordinate.

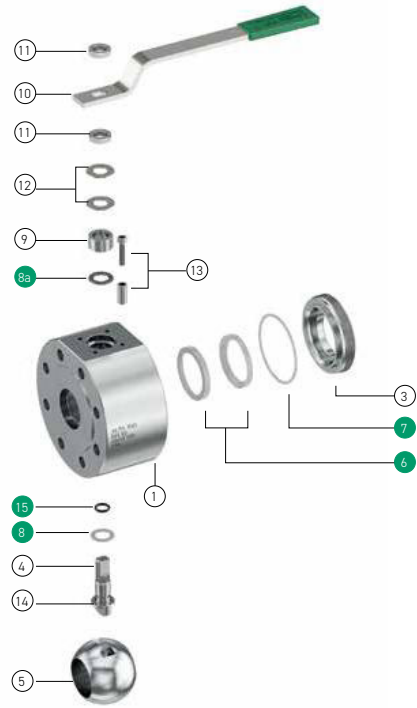
Dimensioni mancanti ed esecuzioni speciali sono disponibili su richiesta. Si prega contattare Ufficio commerciale per disponibilità e consegne.





## A10N ANSI 300 wafer type ball valve

PART NAME PARTICOLARE	QTY QTA'	MATERIALS MATERIALI	
1 body corpo	1	ASTM A105 *	ASTM A479 316/316L **
3 closure chiusura	1	ASTM A105 *	ASTM A479 316/316L **
4 stem stelo	1	ASTM A479 F6a (AISI 410)	ASTM A182 316/316L
5 ball sfera	1	ASTM A351 CF8	ASTM A351 CF8M
6 seats sedi	2	TFM	
7 body gasket guarnizione corpo	1	P.T.F.E./GRAPHOIL (DN > 100)	
8 washer bussola	1	P.T.F.E.	
8a stem gasket guarnizione stelo	1	GRAPHOIL	
9 gland premi-guarnizione	1	Carbon steel Zinc Coated	Stainless Steel 316
10 lever leva	1	Carbon steel Zinc Coated	
11 stem nut dado stelo	2	CL8	A4-40 (AISI 316)
12 spring washer molta a tazza	2	51CrV4 Zinc Coated	AISI 316
13 stop device dispositivo di arresto	1	Cl. 8.8 Zinc Coated	AISI 316
14 antistatic device dispositivo antistatico	2	AISI 316	
15 stem o-ring o-ring stelo	1	VITON 75 Sh. A	
16 body o-ring (DN > 100) o-ring corpo	1	P.T.F.E.	



\* DN > 125: ASTM A216 WCB  
\*\* DN > 125: ASTM A351 CF8M  
Spares parts / Parti di ricambio

### STANDARD FEATURES CARATTERISTICHE STANDARD

Flange Facing RF according / Finitura Flange secondo : ASME B16.5, ANSI 300
Flange drilling, metric holes according / Foratura flange, fori metrici secondo : ASME B16.5, ANSI 300
Face to face / Scartamento : EN 558-1
Design according to / Progettazione secondo : ASME B16.34, EN 12516-1, PED 2014/68/UE
Fire Safe Design and Construction according to / Costruzione e assemblaggio Fire Safe secondo : EN ISO 10497, API 6FA, API 607
Antistatic Device according to / Dispositivo antistatico secondo : BS 1546
Tightness class / Classe di tenuta : VI (FCI 70-2 - ANSI B 16.104)
Stem sealing with O-ring, Anti Blow-out stem / Tenuta stelo con O-Ring, stelo anti-espulsione
Actuator coupling flange according to / Flangia integrata per montaggio comando secondo : ISO 5211

### A10N ANSI 300 CARBON STEEL BODY / CORPO ACCIAIO AL CARBONIO

A105  
WCB\*

DN	VALVE RATING	VALVE CODE	DESCRIPTION	VALVE PRICE (€)	KIT CODE	KIT PRICE (€)
15	ANSI 300	A1N15A2C5-0002-M0010	ALFA10N DN15 ANSI300 A105 FS RF MET		KGAIN15A1-001	
20	ANSI 300	A1N20A2C5-0002-M0010	ALFA10N DN20 ANSI300 A105 FS RF MET		KGAIN20A1-001	
25	ANSI 300	A1N25A2C5-0002-M0010	ALFA10N DN25 ANSI300 A105 FS RF MET		KGAIN25A1-001	
32	ANSI 300	A1N32A2C5-0002-M0010	ALFA10N DN32 ANSI300 A105 FS RF MET		KGAIN32A1-001	
40	ANSI 300	A1N40A2C5-0002-M0010	ALFA10N DN40 ANSI300 A105 FS RF MET		KGAIN40A1-001	
50	ANSI 300	A1N50A2C5-0001-M0010	ALFA10N DN50 ANSI300 A105 FS RF MET		KGAIN50A1-001	
65	ANSI 300	A1N65A2C5-0001-M0010	ALFA10N DN65 ANSI300 A105 FS RF MET		KGAIN65A1-001	
80	ANSI 300	A1N80A2C5-0001-M0010	ALFA10N DN80 ANSI300 A105 FS RF MET		KGAIN80A1-001	
100	ANSI 300	A1NA0A2C5-0001-M0010	ALFA10N DN100 ANSI300 A105 FS RF MET		KGAINA0A1-001	
*125	ANSI 300	A1NA2A2C1-0001-M0010	ALFA10NF DN125 ANSI300 WCB FS RF MET		KGAA4A2A1-002	
*150	ANSI 300	A1NA5A2C1-0001-M0010	ALFA10NF DN150 ANSI300 WCB FS RF MET		KGAA4A5A1-002	

### A10N ANSI 300 STAINLESS STEEL BODY / CORPO ACCIAIO INOSSIDABILE

316(L)  
CF8M\*\*

DN	VALVE RATING	VALVE CODE	DESCRIPTION	VALVE PRICE (€)	KIT CODE	KIT PRICE (€)
15	ANSI 300	A1N15A2SD-0001-M0000	ALFA10N DN15 ANSI300 316/316L FS RF MET		KGAIN15A1-001	
20	ANSI 300	A1N20A2SD-0001-M0000	ALFA10N DN20 ANSI300 316/316L FS RF MET		KGAIN20A1-001	
25	ANSI 300	A1N25A2SD-0001-M0000	ALFA10N DN25 ANSI300 316/316L FS RF MET		KGAIN25A1-001	
32	ANSI 300	A1N32A2SD-0001-M0000	ALFA10N DN32 ANSI300 316/316L FS RF MET		KGAIN32A1-001	
40	ANSI 300	A1N40A2SD-0001-M0000	ALFA10N DN40 ANSI300 316/316L FS RF MET		KGAIN40A1-001	
50	ANSI 300	A1N50A2SD-0001-M0000	ALFA10N DN50 ANSI300 316/316L FS RF MET		KGAIN50A1-001	
65	ANSI 300	A1N65A2SD-0001-M0000	ALFA10N DN65 ANSI300 316/316L FS RF MET		KGAIN65A1-001	
80	ANSI 300	A1N80A2SD-0001-M0000	ALFA10N DN80 ANSI300 316/316L FS RF MET		KGAIN80A1-001	
100	ANSI 300	A1NA0A2SD-0001-M0000	ALFA10N DN100 ANSI300 316/316L FS RF MET		KGAINA0A1-001	
*125	ANSI 300	A1NA2A2S2-0001-M0000	ALFA10NF DN125 ANSI300 CF8M FS RF MET		KGAA4A2A1-002	
*150	ANSI 300	A1NA5A2S2-0001-M0000	ALFA10NF DN150 ANSI300 CF8M FS RF MET		KGAA4A5A1-002	

Product codes in bold are related to product available on stock: delivery time within 3 weeks based on ordered quantity.  
All other codes are related to product ready for assembly: delivery time within 5 weeks based on ordered quantity.  
Missing Sizes and Special Executions are available upon request. Please contact Sales Dept. for availability and delivery time.  
I codici in grassetto indicano prodotti normalmente disponibili a stock: consegna entro 3 settimane secondo quantità ordinate.  
Gli altri codici indicano prodotti disponibili per assemblaggio: consegna entro 5 settimane secondo quantità ordinate.  
Dimensioni mancanti ed esecuzioni speciali sono disponibili su richiesta. Si prega di contattare Ufficio commerciale per disponibilità e consegne.